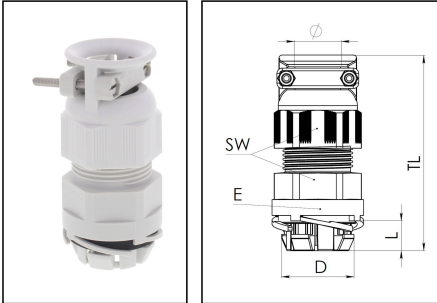


ESKVZ-P 25 LG



Products may differ in size, colour and appearance to those shown. If you require further information or customisation, please contact us directly.



Material	Polyamide
Material sealing gasket	on housing TPE, on cable EPDM
Protection class	IP68 (5 bar 30 min), IP69
Temp. range min	-40 °C
Temp. range max	100 °C
Glow wire test	750 °C
Ø Connection thread D	25
Length screw-in thread L	6 mm
Ø cable diameter min	9 mm
Ø cable diameter max	17 mm
Key width SW	29 mm
Collar diameter (E)	34 mm
Total length TL	58 mm - 72 mm
Ø Drilling	25 mm - 25,2 mm
Wall thickness S	0,5 mm - 4 mm
Product Color	RAL 7035
Type	ESKVZ-P 25 LG
Order no. RAL 7035	10112065
Packing unit	20
EAN number	4007686290622
Tariff number	39269097
ETIM-Classification	EC000451

Your Contact:

WISKA Systems Ibérica, S. L.

C/ Roquetes Nave 117 – Pol. Ind. Can Magre · 08187 Sta. Eulalia de Ronçana · Barcelona, España

☎ +34 (93) 844 65 73 · 📠 +34 (93) 844 86 77

contact@wiska.es · www.wiska.es

Recommended accessories

RDE 25	10060768
BS 17	10064012

27.05.2024

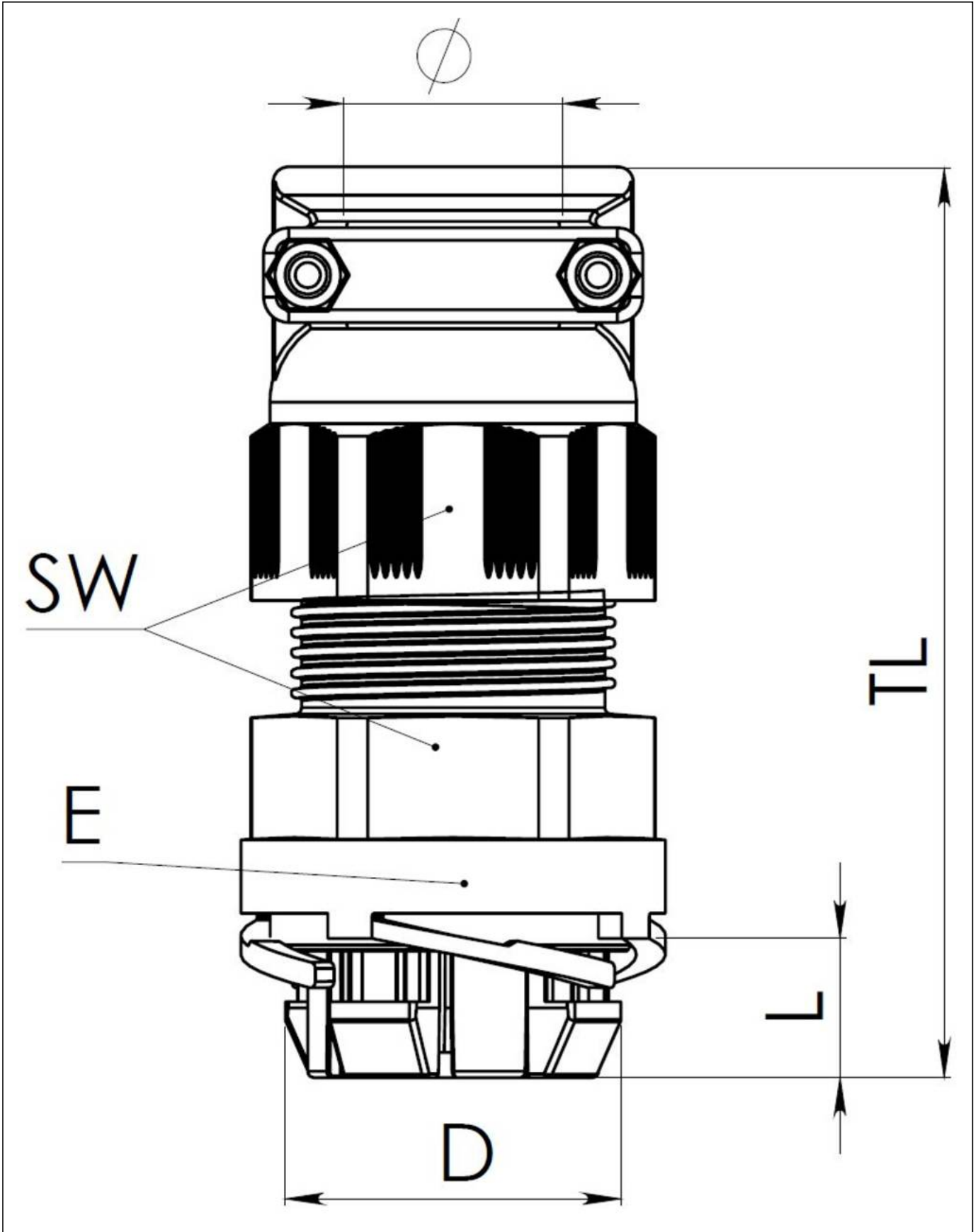
Your Contact:

WISKA Systems Ibérica, S. L.

C/ Roquetes Nave 117 – Pol. Ind. Can Magre · 08187 Sta. Eulalia de Ronçana · Barcelona, España

☎ +34 (93) 844 65 73 · 📠 +34 (93) 844 86 77

contact@wiska.es · www.wiska.es



Your Contact:

WISKA Systems Ibérica, S. L.

C/ Roquetes Nave 117 - Pol. Ind. Can Magre · 08187 Sta. Eulalia de Ronçana · Barcelona, España

☎ +34 (93) 844 65 73 · 📠 +34 (93) 844 86 77

contact@wiska.es · www.wiska.es