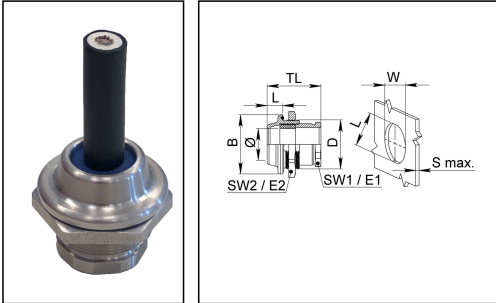


## HGSM 50 FD pack

Cable gland, stainless steel, M50



Products may differ in size, colour and appearance to those shown. If you require further information or customisation, please contact us directly.



<b>Material cable gland</b>	Stainless steel A2 (1.4305)
<b>Material sealing gasket</b>	Silicone
<b>Temp. range min</b>	-60 °C
<b>Temp. range max</b>	180 °C
<b>Protection class</b>	IP69, IP68 (5 bar 30 min)
<b>Thread type</b>	M
<b>Ø Connection thread D</b>	50
<b>Lead</b>	1,5
<b>Ø cable diameter min</b>	26 mm
<b>Ø cable diameter max</b>	38 mm
<b>Key width SW1</b>	45 mm
<b>Key width SW2</b>	60 mm
<b>Collar diameter E1</b>	47 mm
<b>Collar diameter E2</b>	65 mm
<b>LxWxS (max)</b>	47x50x10mm
<b>BxL</b>	56x16mm
<b>Total length TL</b>	37 mm - 53 mm
<b>Advice</b>	Incl. sealing rings, locknut
<b>WISKA-Order no.</b>	10103629
<b>Type</b>	HGSM 50 FD pack
<b>Packing unit</b>	1
<b>Tariff number</b>	73269098
<b>EAN number</b>	4007685089111
<b>ETIM-Classification</b>	EC000441

Your Contact:

WISKA Systems Ibérica, S. L.

C/ Roquetes Nave 117 – Pol. Ind. Can Magre · 08187 Sta. Eulalia de Ronçana · Barcelona, España

☎ +34 (93) 844 65 73 · 📠 +34 (93) 844 86 77



contact@wiska.es · www.wiska.es

27.05.2024

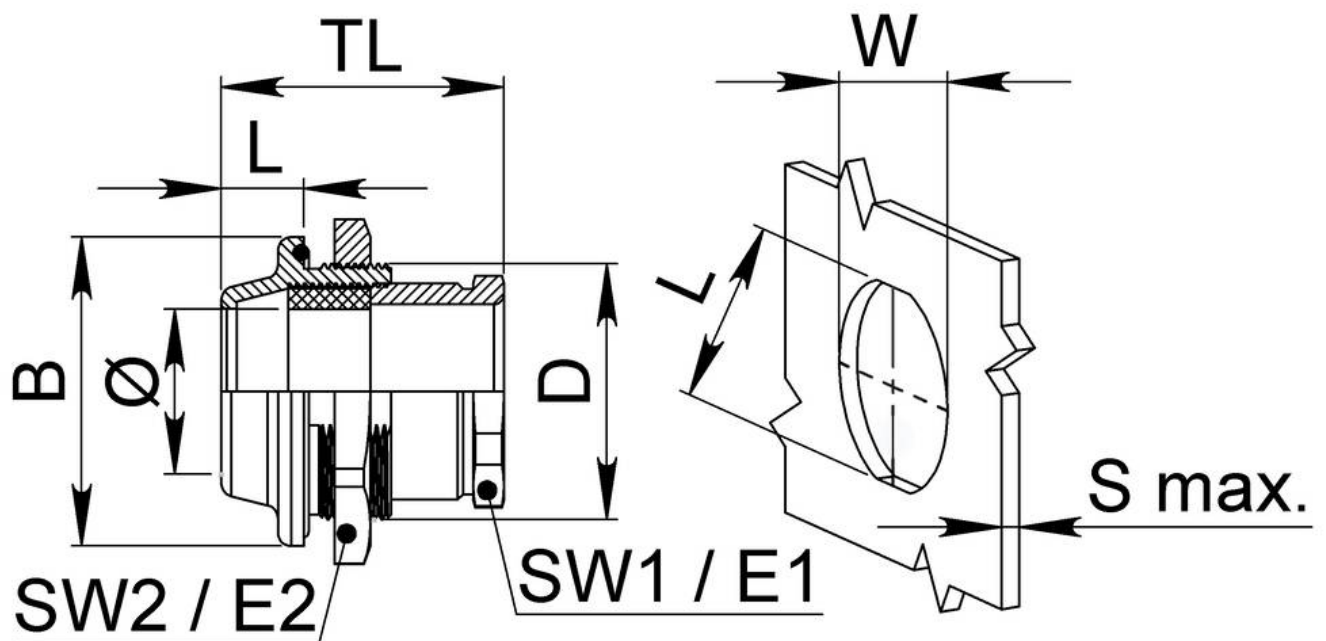
Your Contact:

**WISKA Systems Ibérica, S. L.**

C/ Roquetes Nave 117 – Pol. Ind. Can Magre · 08187 Sta. Eulalia de Ronçana · Barcelona, España

 +34 (93) 844 65 73 ·  +34 (93) 844 86 77

[contact@wiska.es](mailto:contact@wiska.es) · [www.wiska.es](http://www.wiska.es)



Your Contact:

**WISKA Systems Ibérica, S. L.**

C/ Roquetes Nave 117 - Pol. Ind. Can Magre · 08187 Sta. Eulalia de Ronçana · Barcelona, España

☎ +34 (93) 844 65 73 · 📠 +34 (93) 844 86 77

contact@wiska.es · www.wiska.es