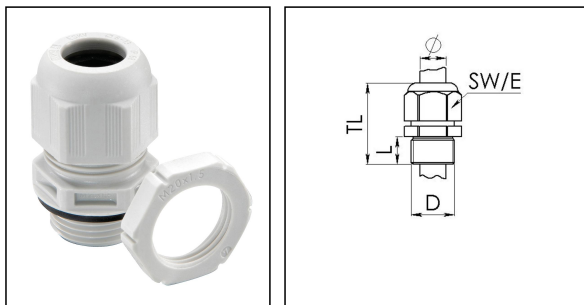


## GLP20+ red

Cable gland with locknut, polyamide, M20, RAL 3000



Product illustrations are exemplary and may differ from the chosen product. Further variants and individual customization, we will gladly provide you on request.



|                                 |                           |
|---------------------------------|---------------------------|
| <b>Material cable gland</b>     | Polyamide                 |
| <b>Material sealing gasket</b>  | EPDM                      |
| <b>Temp. range min</b>          | -40 °C                    |
| <b>Temp. range max</b>          | 100 °C                    |
| <b>Protection class</b>         | IP68 (5 bar 30 min), IP69 |
| <b>Thread type</b>              | M                         |
| <b>Ø Connection thread D</b>    | 20                        |
| <b>Lead</b>                     | 1,5                       |
| <b>Length screw-in thread L</b> | 10 mm                     |
| <b>Ø cable diameter min</b>     | 7,5 mm                    |
| <b>Ø cable diameter max</b>     | 14 mm                     |
| <b>Key width SW</b>             | 24 mm                     |
| <b>Collar diameter (E)</b>      | 27 mm                     |
| <b>Total length TL</b>          | 36 mm - 45 mm             |
| <b>Glow wire test</b>           | 750 °C                    |
| <b>Type of cable anchorage</b>  | A                         |
| <b>Install. torques fitting</b> | 4 N m                     |
| <b>Install. torques cap nut</b> | 3 N m                     |
| <b>Product Color</b>            | RAL 3000                  |
| <b>Order no. RAL 3000</b>       | 10100614                  |
| <b>Type</b>                     | GLP20+ red                |
| <b>Packing unit</b>             | 10                        |

19.12.2018

Your Contact:

**WISKA Systems Ibérica, S. L.**

Mr. Javier Cebrián · C/ Roquetes Nave 117 – Pol. Ind. Can Magre · 08187 Sta. Eulalia de Ronçana · Barcelona, España

☎ +34 (93) 844 65 73 · 📠 +34 (93) 844 86 77

contact@wiska.es · www.wiska.es



Your Contact:

**WISKA Systems Ibérica, S. L.**

Mr. Javier Cebrián · C/ Roquetes Nave 117 – Pol. Ind. Can Magre · 08187 Sta. Eulalia de Ronçana · Barcelona, España

☎ +34 (93) 844 65 73 · 📠 +34 (93) 844 86 77

contact@wiska.es · www.wiska.es