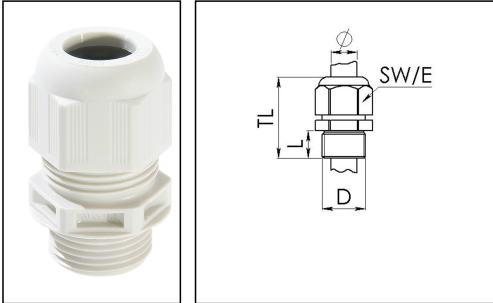


ESKV 20 PLUS WH

Cable gland, plastic, M20, RAL 9001, extended clamping range



Products may differ in size, colour and appearance to those shown. If you require further information or customisation, please contact us directly.



Material cable gland	Polyamide
Material sealing gasket	EPDM
Protection class	IP68 (5 bar 30 min), IP69
Temp. range min	-40 °C
Temp. range max	100 °C
Glow wire test	750 °C
Thread type	M
Ø Connection thread D	20
Lead	1,5
Length screw-in thread L	10 mm
Ø cable diameter min	7,5 mm
Ø cable diameter max	14 mm
Key width SW	24 mm
Collar diameter (E)	27 mm
Total length TL	36 mm - 45 mm
Type of cable anchorage	A
Install. torques fitting	4 N m
Install. torques fitting/EADR	3 N m
Install. torques cap nut	3 N m
Impact category	2
Product Color	RAL 9001
Type	ESKV 20 PLUS WH
WISKA-Order no.	10100610
Packing unit	100
EAN number	4007685047838

Your Contact:

WISKA Systems Ibérica, S. L.

C/ Roquetes Nave 117 – Pol. Ind. Can Magre · 08187 Sta. Eulalia de Ronçana · Barcelona, España

☎ +34 (93) 844 65 73 · 📠 +34 (93) 844 86 77

contact@wiska.es · www.wiska.es

Tariff number	39269097
ETIM-Classification	EC000441

Recommended accessories

MFD 20/02/065	10060953
EADR 20	10062803
BS 14	10064011
MFD 20/03/040	10064341
MFD 20/02/060	10064395
MFD 20/02/050	10101015
MFD 20/03/045	10102306

27.05.2024

Your Contact:

WISKA Systems Ibérica, S. L.

C/ Roquetes Nave 117 – Pol. Ind. Can Magre · 08187 Sta. Eulalia de Ronçana · Barcelona, España

☎ +34 (93) 844 65 73 · 📠 +34 (93) 844 86 77

contact@wiska.es · www.wiska.es



Your Contact:

WISKA Systems Ibérica, S. L.

C/ Roquetes Nave 117 – Pol. Ind. Can Magre · 08187 Sta. Eulalia de Ronçana · Barcelona, España

☎ +34 (93) 844 65 73 · 📠 +34 (93) 844 86 77

contact@wiska.es · www.wiska.es