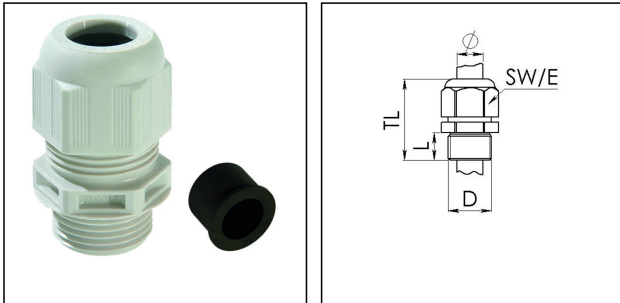


ESKV-RDE 20

Cable gland with reduction sealing insert, polyamide, M20, RAL 7035



Product illustrations are exemplary and may differ from the chosen product. Further variants and individual customization, we will gladly provide you on request.



Material cable gland	Polyamide
Material sealing gasket	EPDM
Temp. range min	-40 °C
Temp. range max	100 °C
Protection class	IP69, IP68 (5 bar 30 min)
Thread type	M
Ø Connection thread D	20
Lead	1,5
Length screw-in thread L	10 mm
Ø cable diameter min	4 mm
Ø cable diameter max	13 mm
Key width SW	24 mm
Collar diameter (E)	27 mm
Total length TL	36 mm - 45 mm
Glow wire test	750 °C
Type of cable anchorage	A
Install. torques fitting	4 N m
Install. torques cap nut	3 N m
Impact category	3
Advice	With reduction insert
Product Color	RAL 7035
Order no. RAL 7035	10064978
Type	ESKV-RDE 20
Packing unit	50
ETIM-Classification	EC000441

Recommended accessories

EMUG 20	10060772
EADR 20	10062803
BS 8	10064006
BS 13	10064010

24.04.2018

