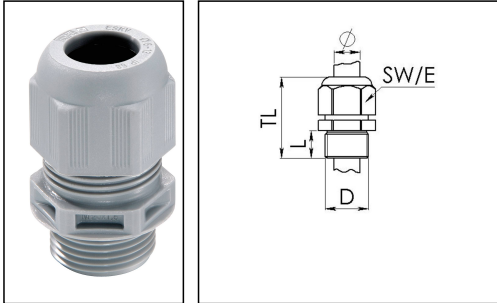


## ESKV 12 LT

Cable gland LowTemp, polyamide, M12, RAL 7001 with short thread



Product illustrations are exemplary and may differ from the chosen product. Further variants and individual customization, we will gladly provide you on request.



Material cable gland	Polyamide
Material sealing gasket	Silicone
Protection class	IP69, IP68 (5 bar 30 min)
Temp. range min	-60 °C
Temp. range max	100 °C
Glow wire test	750 °C
Thread type	M
Ø Connection thread D	12
Lead	1,5
Length screw-in thread L	9 mm
Ø cable diameter min	3 mm
Ø cable diameter max	7 mm
Key width SW	16 mm
Collar diameter (E)	18 mm
Total length TL	29 mm - 34 mm
Type of cable anchorage	A
Install. torques fitting	2 N m
Install. torques cap nut	2 N m
Impact category	2
Product Color	RAL 7001
Type	ESKV 12 LT
Order no. RAL 7001	10061917
Packing unit	50
ETIM-Classification	EC000441

Recommended accessories

<b>RDE 12 LT</b>	10063981
<b>BS 7</b>	10064005
<b>EADR 12/90 LT</b>	10105704

24.04.2018

