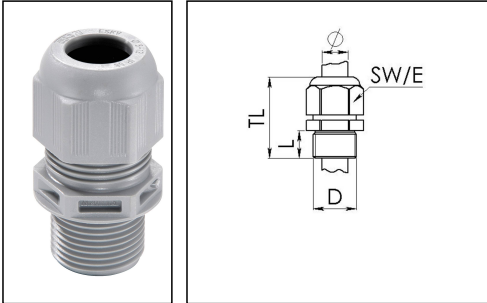


## ESKV-L 32 LT

Cable gland LowTemp, polyamide, M32, RAL 7001 with long thread



Product illustrations are exemplary and may differ from the chosen product. Further variants and individual customization, we will gladly provide you on request.



Material cable gland	Polyamide
Material sealing gasket	Silicone
Protection class	IP69, IP68 (5 bar 30 min)
Temp. range min	-60 °C
Temp. range max	100 °C
Glow wire test	750 °C
Thread type	M
Ø Connection thread D	32
Lead	1,5
Length screw-in thread L	15 mm
Ø cable diameter min	13 mm
Ø cable diameter max	21 mm
Key width SW	36 mm
Collar diameter (E)	40 mm
Total length TL	45 mm - 54 mm
Type of cable anchorage	A
Install. torques fitting	15 N m
Install. torques cap nut	4 N m
Impact category	4
Product Color	RAL 7001
Type	ESKV-L 32 LT
Order no. RAL 7001	10061908
Packing unit	25
ETIM-Classification	EC000441

Your Contact:

WISKA Systems Ibérica, S. L.

Mr. Javier Cebrián · C/ Roquetes Nave 117 – Pol. Ind. Can Magre · 08187 Sta. Eulalia de Ronçana · Barcelona, España

☎ +34 (93) 844 65 73 · 📠 +34 (93) 844 86 77

contact@wiska.es · www.wiska.es

Recommended accessories

<b>RDE 32 LT</b>	10063934
<b>BS 21</b>	10064014
<b>EADR 32/90 LT</b>	10105708

18.11.2018

Your Contact:

**WISKA Systems Ibérica, S. L.**

Mr. Javier Cebrián · C/ Roquetes Nave 117 – Pol. Ind. Can Magre · 08187 Sta. Eulalia de Ronçana · Barcelona, España

☎ +34 (93) 844 65 73 · 📠 +34 (93) 844 86 77

contact@wiska.es · www.wiska.es



Your Contact:

**WISKA Systems Ibérica, S. L.**

Mr. Javier Cebrián · C/ Roquetes Nave 117 – Pol. Ind. Can Magre · 08187 Sta. Eulalia de Ronçana · Barcelona, España

☎ +34 (93) 844 65 73 · 📠 +34 (93) 844 86 77

contact@wiska.es · www.wiska.es