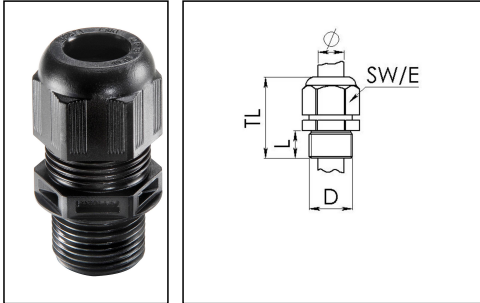


## ESKV-L 20 LT

Cable gland LowTemp, polyamide with long thread



Product illustrations are exemplary and may differ from the chosen product. Further variants and individual customization, we will gladly provide you on request.



Material cable gland	Polyamide
Material sealing gasket	Silicone
Protection class	IP69, IP68 (5 bar 30 min)
Temp. range min	-60 °C
Temp. range max	100 °C
Glow wire test	750 °C
Thread type	M
Ø Connection thread D	20
Lead	1,5
Length screw-in thread L	15 mm
Ø cable diameter min	6 mm
Ø cable diameter max	13 mm
Key width SW	24 mm
Collar diameter (E)	27 mm
Total length TL	41 mm - 50 mm
Type of cable anchorage	A
Install. torques fitting	4 N m
Install. torques cap nut	3 N m
Impact category	3
Product Color	RAL 9005
Type	ESKV-L 20 LT
Order no. RAL 9005	10061868
Packing unit	50
ETIM-Classification	EC000441

Recommended accessories

<b>RDE 20 LT</b>	10063909
<b>BS 13</b>	10064010
<b>EADR 20/90 LT</b>	10105706

24.04.2018

