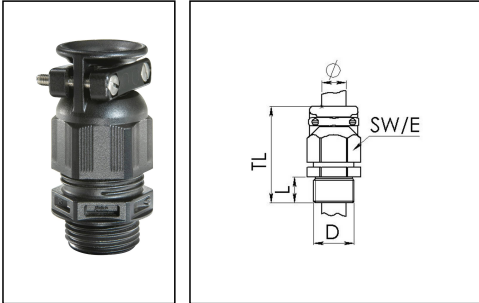


ESKVZ 20

Cable gland with external strain relief, polyamide, M20, RAL 9005



Products may differ in size, colour and appearance to those shown. If you require further information or customisation, please contact us directly.



Material cable gland	Polyamide
Material sealing gasket	EPDM
Protection class	IP69, IP68 (5 bar 30 min)
Temp. range min	-40 °C
Temp. range max	100 °C
Glow wire test	750 °C
Thread type	M
Ø Connection thread D	20
Lead	1,5
Length screw-in thread L	10 mm
Ø cable diameter min	6 mm
Ø cable diameter max	13 mm
Ø cable diameter UL	7,5 mm - 11,3 mm
Key width SW	24 mm
Collar diameter (E)	27 mm
Total length TL	49 mm - 58 mm
Type of cable anchorage	B
Install. torques fitting	4 N m
Install. torques cap nut	4 N m
Impact category	2
Torque clamp srew	0,4 N m
Product Color	RAL 9005
Type	ESKVZ 20
Order no. RAL 9005	10061477
Packing unit	50

Your Contact:

WISKA Systems Ibérica, S. L.

C/ Roquetes Nave 117 – Pol. Ind. Can Magre · 08187 Sta. Eulalia de Ronçana · Barcelona, España

☎ +34 (93) 844 65 73 · 📠 +34 (93) 844 86 77

contact@wiska.es · www.wiska.es

ETIM-Classification

EC000441

Recommended accessories

EMUG 20	10061782
RDE 20	10062185
EADR 20	10062803
BS 13	10064010

20.10.2019

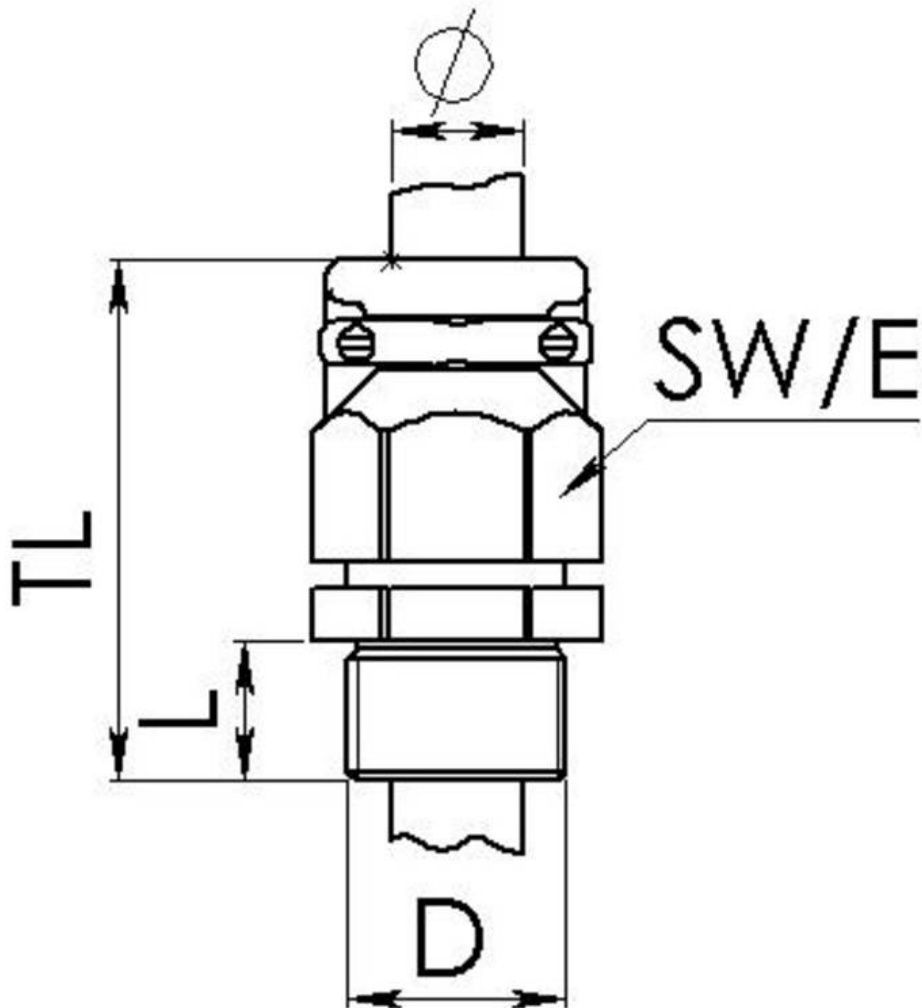
Your Contact:

WISKA Systems Ibérica, S. L.

C/ Roquetes Nave 117 – Pol. Ind. Can Magre · 08187 Sta. Eulalia de Ronçana · Barcelona, España

☎ +34 (93) 844 65 73 · 📠 +34 (93) 844 86 77

contact@wiska.es · www.wiska.es



Your Contact:

WISKA Systems Ibérica, S. L.

C/ Roquetes Nave 117 – Pol. Ind. Can Magre · 08187 Sta. Eulalia de Ronçana · Barcelona, España

☎ +34 (93) 844 65 73 · 📠 +34 (93) 844 86 77

contact@wiska.es · www.wiska.es